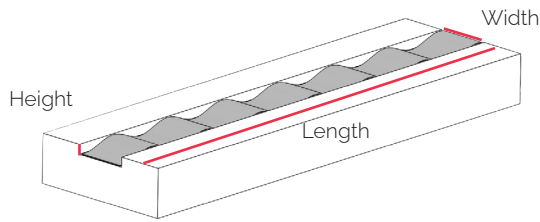


**SPACE REQUIRED**



Length l : ..... mm

OR

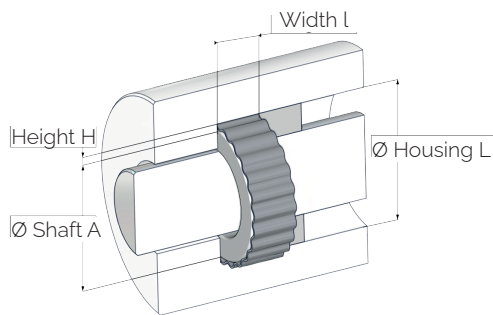
Housing diameter L\* : ..... mm

Shaft diameter A\* : ..... mm

Working height H min : ..... mm

Working height H max : ..... mm

Width l : ..... mm



**Free height H<sub>0</sub>**

H<sub>0</sub> min : .....mm

H<sub>0</sub> max : .....mm

**SPRING RATE**

k min : ..... N/mm

k max : ..... N/mm

Preloading height H<sub>p</sub> : .....mm

Working height H<sub>1</sub>\* : ..... mm      Load F<sub>1</sub>\* : ..... N

Working height H<sub>2</sub> : .....mm      Load F<sub>2</sub> : .....N

Working height H min : .....mm

**ENVIRONMENT**

**Operating temperature :**

Mini\* : .....°C      Maxi\* : .....°C

- Spring ring operates in oil
- Spring ring must be stainless
- Spring ring should not be magnetic
- Spring ring must be conductive

Surrounding chemical substances : .....

Required raw material : .....

**FATIGUE**

- Static application
- Dynamic application
  - Operating frequency : ..... Hz
  - Number of cycles : .....

**QUANTITIES**

Prototypes : .....

Pre serie : .....

Serie\* : .....

Annual : .....

**APPLICATION DESCRIPTION**

.....  
.....  
.....

**IDENTIFICATION**

Last Name\* : ..... First Name\* : .....

Company\* : ..... Function : .....

Full adress : .....

.....

Email\* : ..... Phone : .....

\*Required field